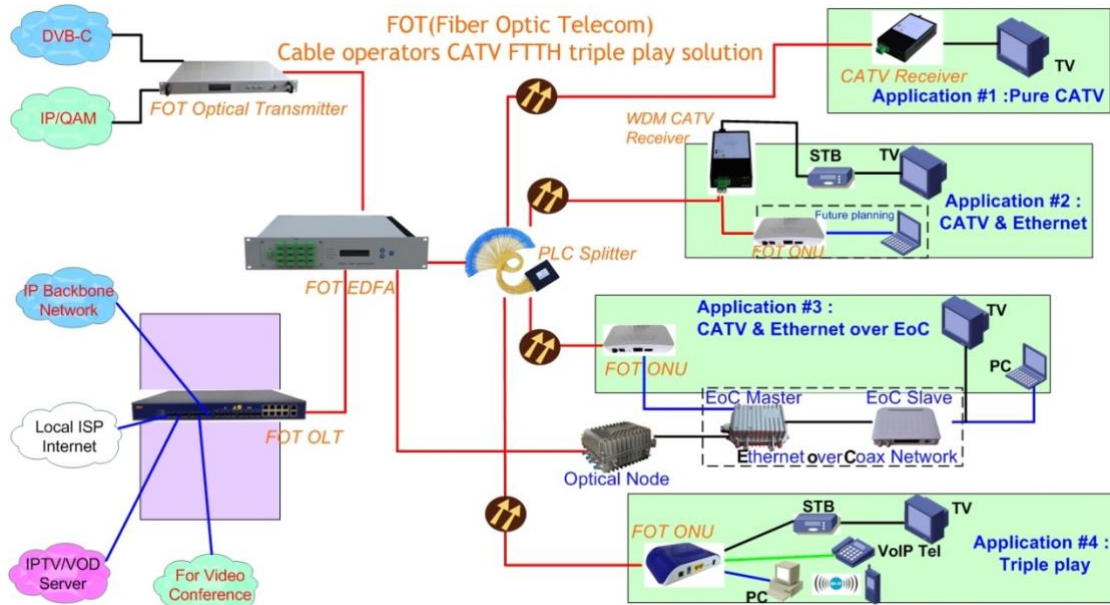


Fiber Optic Telecom

Delivering your Fiber Dream





GPON Equipment Series

Content

1 GPON OLT Series.....	3
1.1 1600G4/G8/G16 4/8/16 ports GPON OLT.....	3
2 GPON ONT series.....	5
2.1 2801SN 1GE Secure Dual mode xPON ONT.....	5
2.2 2801NW 1GE+WIFI Dual mode xPON ONT.....	7
2.3 2802NW 1GE+1FE+WIFI Dual mode xPON ONT.....	8
2.4 2802NWT 1GE+1FE+CATV+WIFI Dual mode xPON ONT.....	9
2.5 323RW 1GE+1FE+1FXS+WIFI Dual mode xPON ONT.....	11
2.6 323RWT 1GE+1FE+1FXS+CATV+WIFI Dual mode xPON ONT.....	12



1 GPON OLT Series

1.1 1600G4/G8/G16 4/8/16 ports GPON OLT



Item	Parameters		
Model	1600G4	1600G8	1600G16
Uplink ports	4*GE RJ45 ports+2*GE SFP/10GE SFP+ slot	8*GE RJ45 ports+(6*GE SFP+2*10GE SFP+) slot	8*GE RJ45 ports+4*GE SFP/10GE SFP+ slot
GPON ports	4*GE SFP Slot	8*GE SFP Slot	16*GE SFP Slot
	Up/down stream: 1.244/2.488Gbps Wavelength: TX 1490nm, RX 1310nm Tx power: +1~+5dBm Rx Sensitivity: -28dBm Saturation Optical Power: -8dBm		
Management ports	1 10/100BASE-T out-band port, 1 CONSOLE port		
Management mode	SNMP, Telnet and CLI, WEB		
Power Supply	AC 90-264V, 47/63Hz Dual power supply module		
Dimension	44.2*22*4.4 (cm)	44.2*32*4.4 (cm)	



Fiber Optic Telecom Co., Limited

(L*W*H)			
Power Consumption	30W	52W	85W
Weight	2.8kg	3.1kg	4.5kg
Layer 2 aggregation switching	16K Mac address; Port VLAN and protocol VLAN; VLAN tag/Un-tag, VLAN transparent transmission; 4096 VLANs; Vlan translation and QinQ; Storm control based on port Port isolation; Port rate limitation; 802.1D and 802.1W; Static LACP; QOS based on port, VID, TOS and MAC address; Access control list; IEEE802.x flow control; Port stability statistic and monitoring; ONU switch in the same PON interface.		
Layer 3 Route	1024 Host Routes; 512 Subnet Routes; Arp proxy; Static route.		
Multicast	IGMP snooping 256 IP Multicast Groups;		
DHCP	DHCP server DHCP relay DHCP snooping		
Management	Online upgrade of device software Fan Group Detecting; Port Status monitoring and configuration management; Layer-2 switch configuration such as VLAN, Trunk, RSTP,IGMP, QOS, etc; GPON management function: DBA, ONU authorization, ACL, QOS, etc; Online ONU configuration and management; User management; Alarm management.		
GPON function	Tcont dba; Gempport traffic ONU automatic identification, automatic finding, and automatic		

	<p>registration</p> <p>Data encryption, multi-cast, port VLAN, separation, RSTP, etc;</p> <p>Power-off alarm function, easy for link problem detection;</p> <p>Broadcasting storm resistance function;</p> <p>Port isolation between different ports;</p> <p>ACL and SNMP to configure data packet filter flexibly;</p> <p>Specialized design for system breakdown prevention to maintain stable system.</p> <p>Flexible DBA, uplink and downlink traffic rate-limited</p> <p>Various LLID configuration and single LLID configuration; Different user and different service could provide different QoS by means of different LLID channels.</p>
Operation Temp.	-10~ +55° C
Storage Temp.	-40 ~ +85° C
Humidity	5~90% (non-condensing)

2 GPON ONT series

2.1 2801SN 1GE Secure Dual mode xPON ONT



Item	Parameters
Model	2801SN
Standard	ITU-T G.984.x, IEEE802.3ah
Wavelength	Tx 1310nm, Rx 1490nm
Port	1 xPON ports, SC/PC connector 1 10/100/1000Mbps Auto adaptive Ethernet port, Full/Half duplex, RJ45 connector
Basic	EPON: Support MPCP discovery, authentication Mac/Loid/Mac+Loid, Triple Churning, DBA bandwidth GPON: Support authentication SN/Loid/ Loid+Password,



Fiber Optic Telecom Co., Limited

	TCONT(Max 8), GEM(Max 32)
Alarm	Support Dying Gasp, PortLoopDetect, Eth Port Los
LAN	Support Port rate limiting, Loop detection, Flow control, Storm control, Mac limiting(max Mac limit 64)
VLAN	Support VLAN tag mode, VLAN transparent mode, VLAN trunk mode(max 8 vlans), VLAN 1:1 translation mode(max 8 vlans)
Multicast	Support IGMPv1/v2, IGMP Snooping, Max Multicast vlan 8 Max Multicast Group 255
QoS	Support 4 queues, SP and WRR, 802.1P Classification: D-MAC/S-MAC/D-IP/S-IP/L4-S-Port/L4-D-Port/Vlan/Cos/Ether Type/DSCP
L3	IPv4,IPv6 and IPv4/IPv6 dual stack, DHCP/PPPOE/Static IP, Static route, NAT, Port forwarding, DHCP server
Security	Anti-DOS attack Prevent The Rogue DHCP Server Prevent The Rogue PPPoE Server ONU Laser always-on detection Powerful firewall function
Management	CTC OAM(EPON) ITUT984.x OMCI(GPON) WEB, CLI
Throughput	Upstream >900Mbps Downstream >960Mbps
Sensitivity	<-27dBm
Overload	>-3dBm
Indicators	3 indicators for power, PON port and etc.
Power supply	+12V, AC-DC power adapter
Power consumption	<4W
Dimension (L*W*H)	80*80*25mm
Net Weight	0.1KG
Operation Temp.	-5~ +55 ° C
Storage Temp.	-30 ~ +60° C
Humidity	10~90% (non-condensing)

2.2 2801NW 1GE+WIFI Dual mode xPON ONT



Item	Parameters
Model	2801NW
Standard	ITU-T G.984.x, IEEE802.3ah
Wavelength	Tx 1310nm, Rx 1490n
Port	1 xPON ports, SC/PC connector 1 10/100/1000Mbps, Auto adaptive Ethernet port, Full/Half duplex, RJ45 connector
Ethernet	<ul style="list-style-type: none"> <input type="checkbox"/> LAN: Support Port rate limiting, Loop detection <input type="checkbox"/> VLAN: Support VLAN QinQ, transparent, tag, translation, trunk, etc <input type="checkbox"/> Multicast: Support IGMPv1/v2/v3, IGMP Proxy and MLD Proxy IGMP Snooping and MLD Snooping <input type="checkbox"/> QoS: Support 4 queues, SP and WRR, 802.1P, DSCP <input type="checkbox"/> L3: Support IPv4/IPv6 and IPv4/IPv6 dual stack, DHCP/PPPOE/Statics, Static route, NAT, DMZ, DNS, ALG, UPnP, Virtual Server Bridge, Route, Route and Bridge mixed mode, DHCP Server
Management	ITUT984.x OMCI(GPON), CTC OAM(EPON) WEB, CLI, TR069
Security	Support Firewall, Mac filter, ACL, URL filter



Fiber Optic Telecom Co., Limited

Rx sensitivity	< -27dBm
Wireless	300Mbps, 2T2R 1 internal antenna, 1 external antenna. Support 802.11b/g/n and Mixed mode, No-auth, WEP, WPA-PSK and WPA2-PSK function with AES, TKIP encryption
Power supply	+12V, AC-DC power adapter
Power consumption	<6W
Dimension (L*W*H)	115*75*28mm
Net Weight	0.13KG
Operation Temp.	-5~ +55°C
Storage Temp.	-30 ~ +60°C
Humidity	10~95% (non-condensing)

2.3 2802NW 1GE+1FE+WiFi Dual mode xPON ONT



Item	Parameters
Model	2802NW
Standard	ITU-T G.984.x, IEEE802.3ah
Wavelength	Tx 1310nm, Rx 1490nm
Port	1 xPON ports, SC/PC connector 1 10/100/1000Mbps + 1 10/100Mbps, Auto adaptive Ethernet port, Full/Half duplex, RJ45 connector
Ethernet	<input type="checkbox"/> LAN: Support Port rate limiting, Loop detection, Flow control, Storm control <input type="checkbox"/> VLAN: Support VLAN QinQ, transparent, tag, translation, trunk, etc

	<ul style="list-style-type: none"> ❑ Multicast: Support IGMPv1/v2/v3, IGMP Proxy and MLD Proxy IGMP Snooping and MLD Snooping ❑ QoS: Support 4 queues, SP and WRR, 802.1P, DSCP ❑ L3: Support IPv4/IPv6 and IPv4/IPv6 dual stack, WAN DHCP/PPPOE/Statics IP, Static route, NAT, Port forwarding, DHCP Server
Management	ITUT984.x OMCI(GPON), CTC OAM(EPON) WEB, CLI, TR069
Security	Support Firewall, Mac filter, ACL, URL filter
Rx sensitivity	< -27dBm (CLASS B+)
Overload	>-8dBm (CLASS B+)
Wireless	300Mbps, 2T2R 2 external antennas Support 802.11b/g/n and Mixed mode, No-auth, WEP, WPA-PSK and WPA2-PSK function with AES, TKIP encryption
Power supply	+12V, AC-DC power adapter
Power consumption	<9W
Dimension (L*W*H)	185*122*33mm
Net Weight	0.25KG
Operation Temp.	-5~ +55 ° C
Storage Temp.	-30 ~ +60 ° C
Humidity	10~95% (non-condensing)

2.4 2802NWT 1GE+1FE+CATV+WiFi Dual mode xPON ONT





Fiber Optic Telecom Co., Limited

Item	Parameters
Model	2802NWT
Standard	ITU-T G.984.x, IEEE802.3ah
Wavelength	Tx 1310nm, Rx 1490nm, CATV 1550nm
Port	1 xPON ports, SC/PC connector 1 10/100/1000Mbps + 1 10/100Mbps, Auto adaptive Ethernet port, Full/Half duplex, RJ45 connector 1 F type CATV port
Ethernet	<ul style="list-style-type: none"> <input type="checkbox"/> LAN: Support Port rate limiting, Loop detection, Flow control, Storm control <input type="checkbox"/> VLAN: Support VLAN QinQ, transparent, tag, translation, trunk, etc <input type="checkbox"/> Multicast: Support IGMPv1/v2/v3, IGMP Proxy and MLD Proxy IGMP Snooping and MLD Snooping <input type="checkbox"/> QoS: Support 4 queues, SP and WRR, 802.1P, DSCP <input type="checkbox"/> L3: Support IPv4/IPv6 and IPv4/IPv6 dual stack, WAN DHCP/PPPOE/Statics IP, Static route, NAT, Port forwarding, DHCP Server
CATV	RF frequency: 45~875MHz. Output: 80dBuV @ -6 to +2 dBm
Management	ITUT984.x OMCI(GPON), CTC OAM(EPON) WEB, CLI, TR069
Security	Support Firewall, Mac filter, ACL, URL filter
Rx sensitivity	< -27dBm (CLASS B+)
Overload	>-8dBm (CLASS B+)
Wireless	300Mbps, 2T2R, external antennas Support 802.11b/g/n and Mixed mode, No-auth, WEP, WPA-PSK and WPA2-PSK function with AES, TKIP encryption
Power supply	+12V, AC-DC power adapter
Power consumption	<9W
Dimension (L*W*H)	185*120*33mm
Net Weight	0.28KG
Operation Temp.	-5~ +55°C
Storage Temp.	-30 ~ +60°C
Humidity	10~95% (non-condensing)

2.5 323RW 1GE+1FE+1FXS+WiFi Dual mode xPON ONT



Item	Parameters
Model	323RW
Standard	ITU-T G.984.x, IEEE802.3ah
Wavelength	Tx 1310nm, Rx 1490nm
Port	1 xPON ports, SC/PC connector 1 10/100/1000Mbps + 1 10/100Mbps, Auto adaptive Ethernet port, Full/Half duplex, RJ45 connector 1 FXS, RJ11 connector
Ethernet	<ul style="list-style-type: none"> <input type="checkbox"/> LAN: Support Port rate limiting, Loop detection, Flow control, Storm control <input type="checkbox"/> VLAN: Support VLAN QinQ, transparent, tag, translation, trunk, etc <input type="checkbox"/> Multicast: Support IGMPv1/v2/v3, IGMP Proxy and MLD Proxy IGMP Snooping and MLD Snooping <input type="checkbox"/> QoS: Support 4 queues, SP and WRR, 802.1P, DSCP <input type="checkbox"/> L3: Support IPv4/IPv6 and IPv4/IPv6 dual stack, WAN DHCP/PPPOE/Statics IP, Static route, NAT, Port forwarding, DHCP Server
VoIP	<ul style="list-style-type: none"> <input type="checkbox"/> Call protocol: SIP <input type="checkbox"/> GR-909 line testing <input type="checkbox"/> Voice coding: ITU-T G.711/G.723/G.726/G.729 <input type="checkbox"/> Echo cancellation <input type="checkbox"/> Support high/low speed fax/Modem, bypass

	<p>fax, and T38 fax.</p> <ul style="list-style-type: none"> <input type="checkbox"/> Support InBand / RFC2833/SIP INFO, MD5 authentication, call forward, call waiting, hot-line call, and all kinds of value-added voice service. Multi-party conferencing
Management	ITUT984.x OMCI(GPON), CTC OAM(EPON) WEB, CLI, TR069
Security	Support Firewall, Mac filter, ACL, URL filter
Rx sensitivity	< -27dBm
Overload	>-8dBm
Wireless	300Mbps, 2T2R 2 external antennas Support 802.11b/g/n and Mixed mode, No-auth, WEP, WPA-PSK and WPA2-PSK function with AES, TKIP encryption
Indicators	8 indicators for power, PON port and etc.
Power supply	+12V, AC-DC power adapter
Power consumption	<9W
Dimension (L*W*H)	185*122*33mm
Net Weight	0.28KG
Operation Temp.	-5~ +55°C
Storage Temp.	-30 ~ +60°C
Humidity	10~95% (non-condensing)

2.6 323RWT 1GE+1FE+1FXS+CATV+WiFi Dual mode xPON ONT



Item	Parameters
------	------------





Fiber Optic Telecom Co., Limited

Model	323RWT
Standard	ITU-T G.984.x, IEEE802.3ah
Wavelength	Tx 1310nm, Rx 1490nm, CATV 1550nm
Port	<p>1 xPON ports, SC/PC connector</p> <p>1 10/100/1000Mbps + 1 10/100Mbps, Auto adaptive Ethernet port, Full/Half duplex, RJ45 connector</p> <p>1 FXS, RJ11 connector</p> <p>1 F type CATV port</p>
Ethernet	<ul style="list-style-type: none"> <input type="checkbox"/> LAN: Support Port rate limiting, Loop detection, Flow control, Storm control <input type="checkbox"/> VLAN: Support VLAN QinQ, transparent, tag, translation, trunk, etc <input type="checkbox"/> Multicast: Support IGMPv1/v2/v3, IGMP Proxy and MLD Proxy IGMP Snooping and MLD Snooping <input type="checkbox"/> QoS: Support 4 queues, SP and WRR, 802.1P, DSCP <input type="checkbox"/> L3: Support IPv4/IPv6 and IPv4/IPv6 dual stack, WAN DHCP/PPPOE/Statics IP, Static route, NAT, Port forwarding, DHCP Server
VoIP	<ul style="list-style-type: none"> <input type="checkbox"/> Call protocol: SIP <input type="checkbox"/> GR-909 line testing <input type="checkbox"/> Voice coding: ITU-T G.711/G.723/G.726/G.729 <input type="checkbox"/> Echo cancellation <input type="checkbox"/> Support high/low speed fax/Modem, bypass fax, and T38 fax. <input type="checkbox"/> Support InBand / RFC2833/SIP INFO, MD5 authentication, call forward, call waiting, hot-line call, and all kinds of value-added voice service. Multi-party conferencing
CATV	<p>RF frequency: 45~875MHz.</p> <p>Output: 80dBuV @ -6 to +2 dBm</p>
Management	<p>ITUT984.x OMCI(GPON), CTC OAM(EPON)</p> <p>WEB, CLI, TR069</p>
Security	Support Firewall, Mac filter, ACL, URL filter
Rx sensitivity	< -27dBm
Overload	>-8dBm
Wireless	<p>300Mbps, 2T2R, external antennas</p> <p>Support 802.11b/g/n and Mixed mode, No-auth,</p>



Fiber Optic Telecom Co., Limited

	WEP, WPA-PSK and WPA2-PSK function with AES, TKIP encryption
Power supply	+12V, AC-DC power adapter
Power consumption	<9W
Dimension (L*W*H)	185*120*33mm
Net Weight	0.28KG
Operation Temp.	-5~ +55°C
Storage Temp.	-30 ~ +60°C
Humidity	10~95% (non-condensing)

